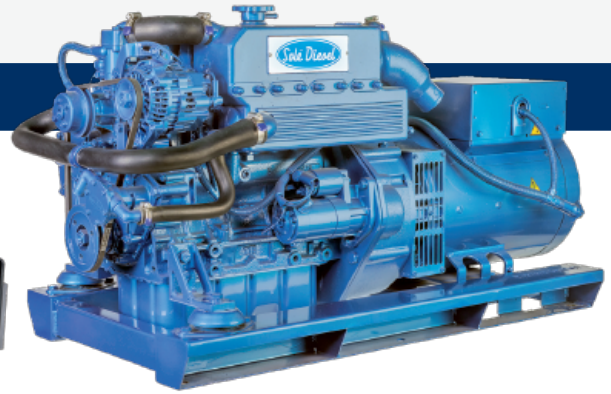




MARINE GENERATOR SET

G-25M-3 25 kVA (25 kW) 50 Hz

1 - Phase



Model and ratings

Model	kW	kVA	Voltage	Amps	Phase	Hz	Engine RPM
G-25M-3	25	25	230	108.5	1	50	3,000

Size and Weight

Dimensions (mm)			Weight (Dry) (kg)
Length	Width	Height	
1,214	560	620	320

Ratings: Marine ratings per ISO 3046 (100 kPa barometric pressure, 30% relativity and 25 °C temperature)

ENGINE

Engine Specifications

Base	MITSUBISHI
Solé Engine Model	MINI-44
Type	4 stroke
Cylinder	4
Displacement	1,758 cc
Bore and Stroke	78x92 mm
Compression ratio	22:01
Injection	Indirect
Aspiration type	Natural Aspiration
Lube Oil capacity (L)	6
Oil Type	Solé Diesel 15W40
Coolant capacity (L)	8
Housing	SAE 5
Flywheel	SAE 7 1/2
RPM	3,000
Power (Hp / kW)	22.1 / 15.5
Coolant flow rate (L/min)	-
Raw water flow (L/min)	55
Engine/generator Air cooling requirements (m3/min)	2.58

Engine Electrical

Electrical System (V)	12
Starter Motor (kW)	2
Alternator (A)	95
Shutdown system	Electrical
Stop Solenoid Type	ETS

Installation Details

Water Intel:	Ø20 mm
Fuel Intel:	Ø8 mm
Fuel Return:	Ø6 mm
Wet Exhaust:	Ø50 mm

Typical fuel Consumption

25%	3.6
50%	5.1
75%	6.5
100%	7.8

Diesel Liters/h at % load

ALTERNATOR

Alternator Details

Brand	MECC ALTE	Model	ECP28-2L/2 (27 kVA III)
Regulator type	DSR	# of poles	2
Insulation Type*	H	IP protection*	23
Cos phi	0.8	Tropicalization	Standard
Excitation system	Brushless	Voltage regulation Accuracy**	± 1%
Frequency Regulation	Synchronous	Standards	EN 61000-6-3, EN 61000-6-1

* Other protections available.

** With load from 0 to 100%, speed variation from -2% up to +5%, power factor 0,8 linear and balanced load.





MARINE GENERATOR SET



Control Panel SCO 10

General Description

- Graphic LCD with light, 128 x 64 pixels display
- 2 LED indicators
- Genset Measures (see Display Information)
- Configuration protected by password
- Running hour indication
- Multilanguage
- Genset protections (see Alarm Management)
- Preheating function
- D+ pre-excitation Terminal
- CAN bus information output with SAE J1939 protocol
- Two multipurpose timers

Operating Conditions

- Operating temperature -20+70°C
- Humidity 95% Without condensation
- Protection front panel IP65
- Standard Conformity
 - Low Voltage Directive EN 61010-1:95 +A1:97
 - Electromagnetic EN 50081-1:94, EN 50081-2:96
 - Compatibility EN 50082-1:99, EN 50082-2:97

Solé Diesel Digital Display - SCO 10

- Dimensions 180 x 120 x 55 mm
- Weight 450g

Display Information

· Measurement

L1-L3 Voltage (V), Frequency (Hz), Oil Pressure (bar), Coolant Temperature (°C), Battery Voltage (V), rpm, Active Power* (kW), Apparent Power* (kVA), Current* (A), PF*.

· History log

Alarm Management

· Shut Down (SD)

- High coolant temperature
- Low oil pressure
- Overload*
- Overcurrent*
- Over/Under frequency
- Overspeed
- Short circuit*
- Over/Under voltage
- Emergency stop

· Warnings (WRN)

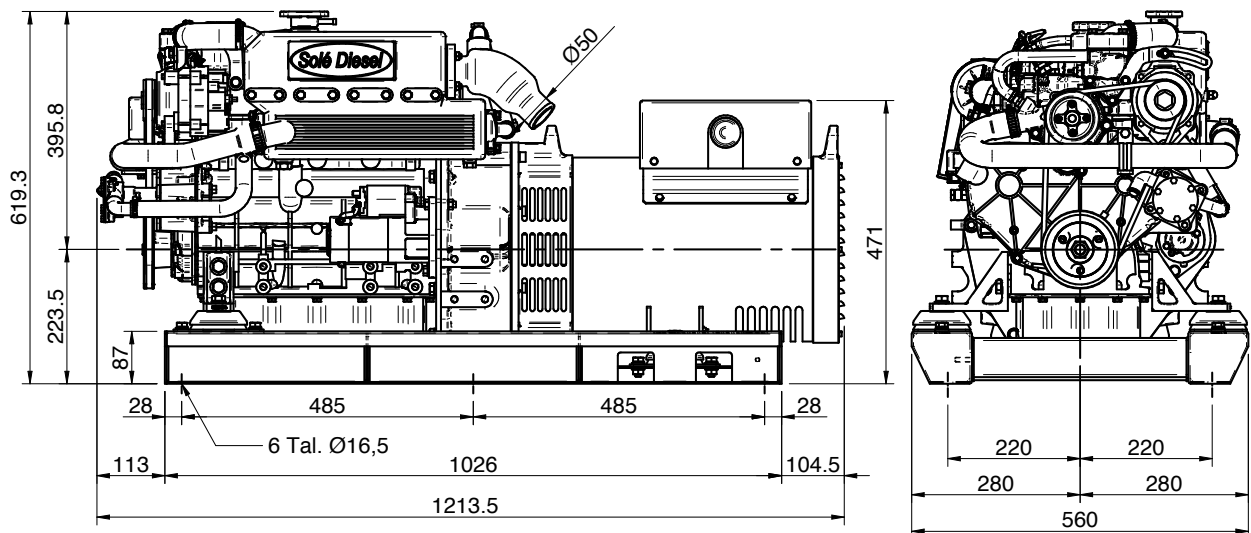
- High coolant temperature
- Low oil pressure
- Maintenance request
- High/Low battery voltage

· Sensor Fails (FLS)

* The specified function needs the current transformers (Optional Equipment) for showing the information in SCO 10 panel display

DIMENSIONS

G-25M-3



Dimensions in millimetres
This drawing is provided for reference only.

Distributed by:



SOLÉ, S.A. C-243 b, km 2. 08760 Martorell, Barcelona
Office Tel +34 93 775 14 00 - Fax +34 93 775 30 13

solediesel.com - info@solediesel.com

Detailed drawings, leaflets and manuals are available at solediesel.com. © 2017. Solé Diesel. All rights reserved. Texts and specifications are subject to change without notice and without any obligation or liability whatsoever.

