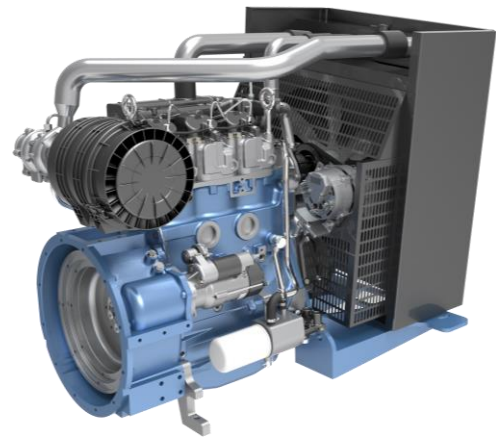


PowerKit Engine 3M10 Series

General Specifications

Bore & Stroke	105x120 mm
Displacement	3.12 L
Cylinder Number	3
Compression Ratio	15.5:1
Fuel System	Mechanical Pump
Governor	Mechanic/Electronic
Aspiration	NA/T/TA
Emission Standard	EU Stage II



Engine Speed	Engine Output		Typical Generator Output(ESP)	Engine Speed	Engine Output		Typical Generator Output(ESP)
	Prime(PRP)	Standby(ESP)			Prime(PRP)	Standby(ESP)	
(rpm)	kWm	kWm	kWe/kVA	(rpm)	kWm	kWm	kWe/kVA
1500	30	33	26/33	1800	36	40	33/42
1500	45	50	44/55	1800	50	55	44/55
1500	55	61	53/66	1800	64	70	60/75

Standard Equipment

Engine and block

- Cast iron gantry type structure block
- One-piece forged crankshaft
- Separate cast iron cylinder heads and wet liners
- Aluminium alloy pistons with gallery oil cooling

Cooling system

- Thermostatically-controlled system with belt driven coolant pump and pusher fan

Lubrication system

- Spin-on full-flow lub oil filter

Special design connector for oil heater and drawing off oil pump

Fuel system

- In-line AD fuel injection pump
- Duplex fine filter for better efficiency

Air intake and exhaust system

- High performance silencer as standard
- Stainless steel exhaust manifold shield for heat isolating

Electrical system

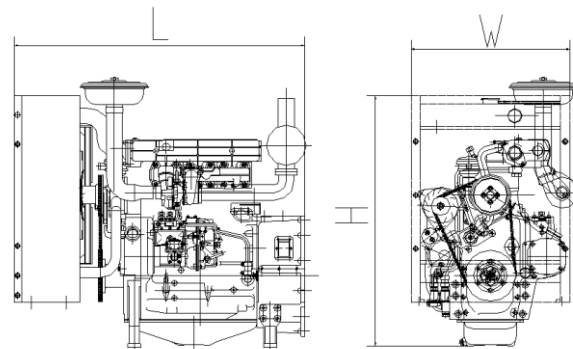
- 12V electric starter motors and battery charging alternator
- Standard sensor connector

Flywheel and housing

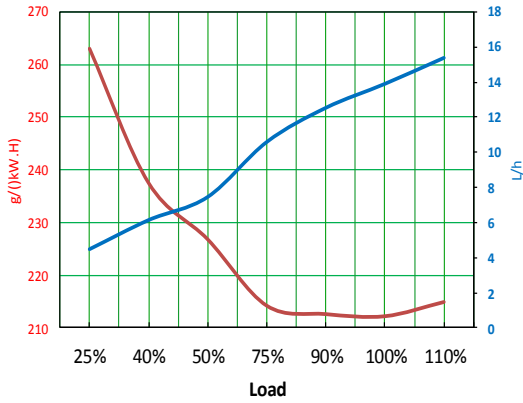
- SAE3 flywheel housing and 11.5" flywheel

Dimensions and Weight

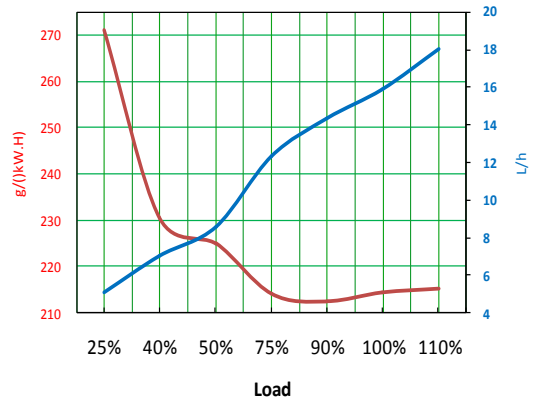
	NA	T	TA
Length	1152 mm	1129 mm	1241 mm
Width	738 mm	738 mm	839 mm
Height	996 mm	1030 mm	1030 mm
Net Weight	430kg	455kg	480kg



PowerKit Engine 3M10 Series



3M10G66-55kW/1500rpm



3M10G50-64kW/1800rpm

Manufacturer:
Address:

SOCIETE INTERNATIONALE DES MOTEURS BAUDOUIN
Technoparc du Bregadan
13260 Cassis, FRANCE
<http://www.baudouin.com>